

Operating Instructions

Dryer cabinet

Dear Customer,

Thank you for choosing this quality product from ASKO.

We hope it will meet your expectations and fulfil your needs for many years to come. Scandinavian design combines clean lines, everyday functionality and high quality. These are key characteristics of all our products and the reason they are greatly appreciated throughout the world.

To get the most out of your new machine, we recommend that you read the operating instructions before using the machine. The operating instructions also include information on how you can help protect the environment.

ASKO DC7573, 7583

 **ASKO**

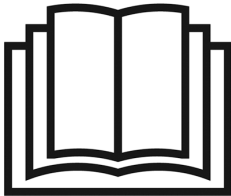
Contents

Safety instructions	3	Care	20
Safety	3	Cleaning	20
Interrupting a program	3	When the dryer cabinet is not used	20
Packing material	3	Troubleshooting	21
Recycling	3	The machine will not start	21
To minimize the risk of fire in a dryer cabinet, the following should be observed:	4	Overheating cut-out	21
Description of the dryer cabinet	5	Drying takes too long	21
Control panel	6	The garments do not dry, or are too dry	21
Assembly area	7	Error messages	21
Electrical requirement	8	Service	22
User liability	8	Technical information	23
Electrical connection	8	Technical data	23
Connect to the ventilation	9	Energy consumption and drying times	24
Evacuation of the moist air can be performed in two ways:	9	Evacuation/Supply air	24
Installation	11	Manufacturing standards	24
Unpacking	11	Air gap when in-built	24
A complete delivery includes	11	Quick guide	28
Recommended tools	11	Fabrics	28
Assembly set	12	Turn on the main power switch	28
Positioning	13	Hang up the laundry	28
Level adjustment	13	Select a program and any options	28
Fastening	13	Press the Start button	28
Installing in a built-in cabinet	14	Drying program finished	28
Connect to the ventilation	15	Once drying has finished	28
Door hanging	16		
Rehanging the door	16		
Operation	17		
Sort the garments	17		
Garment placement	17		
Close the dryer cabinet door and switch on the main power switch.	17		
Program selection	18		
Selecting Options	18		
Press the Start button	19		
Drying program finished	19		
Once drying has finished	19		

Safety instructions



Read the operating instructions and keep them in a safe place!



- Electrical installation, if required, should be carried out by a qualified electrician.
- The dryer cabinet should only be used for drying as described in these instructions.
- The dryer cabinet must be installed or stored indoors.
- Repairs and maintenance must be carried out by a qualified professional.
- Damaged mains cables must only be replaced by a qualified electrician.
- Sufficient ventilation is required to prevent smoke from open fires or fumes from equipment burning other fuels being sucked into the room when the dryer cabinet is running.
- Items that are stained with e.g. cooking oil, acetone, alcohol, petrol, kerosene, stain remover, turpentine, wax and wax remover should be washed in hot water with extra detergent before they go in the dryer cabinet.
- Items such as foam rubber, latex, plastic, rubber-coated items and clothes and foam-rubber-filled cushions must not be dried in the dryer cabinet.
- Fabric softener or similar products should be used as per the recommendations of the detergent manufacturer.
- The dryer cabinet is not designed to be used by persons (or children) that are physically or mentally handicapped or lack experience and knowledge. Such persons must receive instruction in how to use the dryer cabinet from the person responsible for their safety.
- Children must be watched to ensure they do not play with the dryer cabinet.
- Keep the area around the evacuation duct free from dust and dirt.

- Clean the inside of the dryer cabinet regularly.

WARNING!



Never stop a dryer cabinet before the program is completed unless you immediately remove all the laundry and spread it out so that the heat can disappear.

Safety

- The machine must not be used for drying items that have been dry-cleaned at home or fabrics that may contain residues of flammable liquids.
- The dryer cabinet is protected by an overheating cut out. This shuts off the machine if the temperature gets too high.

Interrupting a program

You can stop a drying program by:

- Open the door. The dryer cabinet will then stop automatically.
- Press the main power switch.
- Press the Stop button for three seconds.

When you want to resume drying, simply close the door and press the Startbutton.

The drying result may be too damp or too dry if the program is stopped and restarted.

Packing material

Sort waste materials in accordance with local guidelines.

Recycling

The dryer cabinet is manufactured and labelled for recycling. In order to prevent personal injury the dryer cabinet must be made inoperable after deciding to take it out of service. Contact your local authority for information about where and how you can recycle it.

Safety instructions



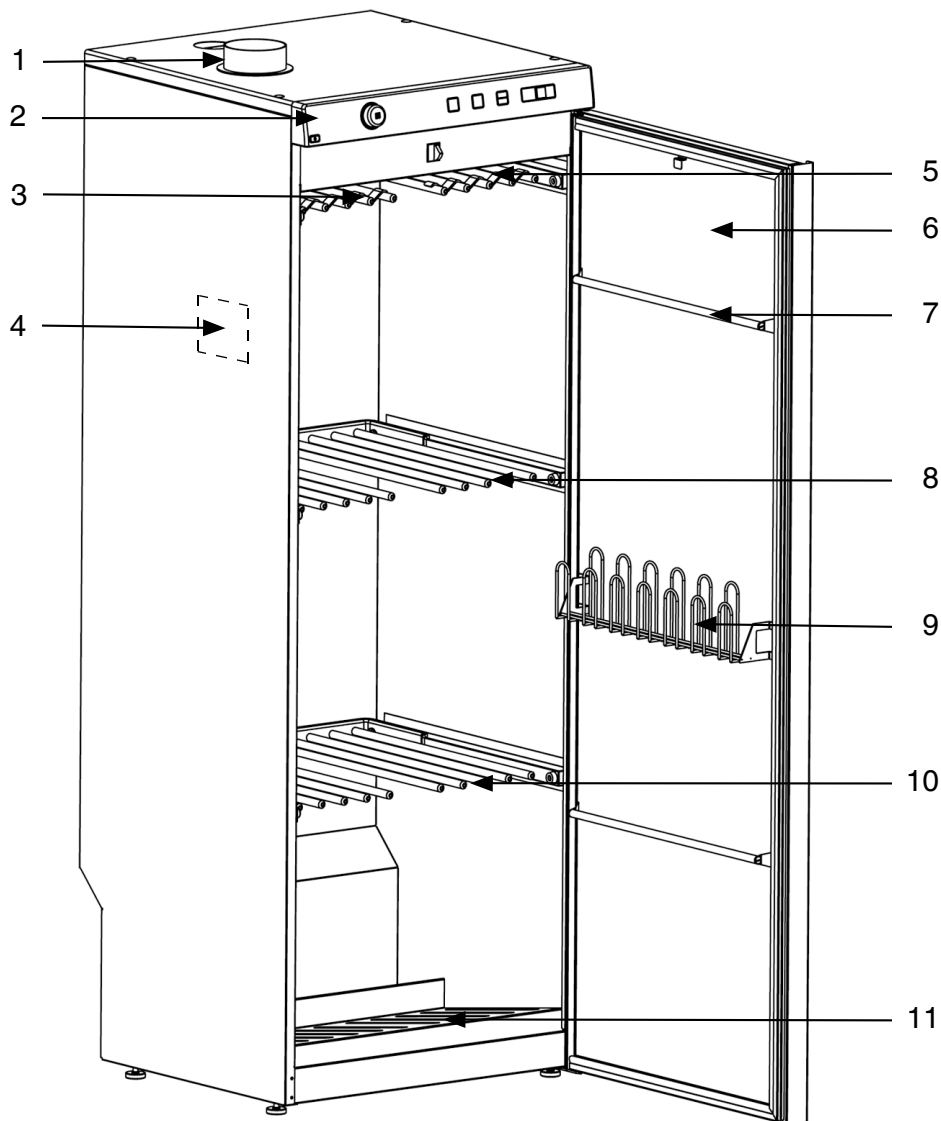
To minimize the risk of fire in a dryer cabinet, the following should be observed:

- Items that have been spotted or soaked with vegetable or cooking oil constitute a fire hazard and should not be placed in a dryer cabinet. Oil-affected items can ignite spontaneously, especially when exposed to heat sources such as in a dryer cabinet. The items become warm, causing an oxidation reaction in the oil. Oxidation creates heat. If the heat cannot escape, the items can become hot enough to catch fire. Piling, stacking or storing oil-affected items can prevent heat from escaping and so create a fire hazard. If it is unavoidable that fabrics that contain vegetable or cooking oil or have been contaminated by hair care products be placed in a dryer cabinet they should first be washed in hot water with extra detergent - this will reduce, but not eliminate, the hazard. The 'cool down' cycle of dryer cabinet should be used to reduce the temperature of the items. They should not be removed from the dryer cabinet or piled or stacked while hot.
- Items that have been previously cleaned in, washed in, soaked in or spotted with petrol/gasoline, dry-cleaning solvents or other flammable or explosive substances should not be placed in a dryer cabinet. Highly flammable substances commonly used in domestic environments include acetone, denatured alcohol, petrol/gasoline, kerosene, spot removers (some brands), turpentine, waxes and wax removers.
- Items containing foam rubber (also known as latex foam) or similarly textured rubberlike materials should not be dried in a dryer cabinet on a heat setting. Foam rubber materials can, when heated, produce fire by spontaneous combustion.
- Fabric softeners or similar products should not be used in a dryer cabinet to eliminate the effects of static electricity unless this practice is specifically recommended by the manufacturer of the fabric softener or product.
- Plastic articles such as shower caps or babies' waterproof napkin covers should not be placed in a dryer cabinet. Rubber-backed articles, clothes fitted with foam rubber pads, pillows, galoshes and rubber-coated tennis shoes should not be placed in a dryer cabinet.
- There has to be adequate ventilation to avoid the back flow of gases into the room from appliances burning other fuels, including open fires, when operating the dryer cabinet.
- The exhaust air must not be discharged into a flue which is used for exhausting fumes from appliances burning gas or other fuels

CAUTION!

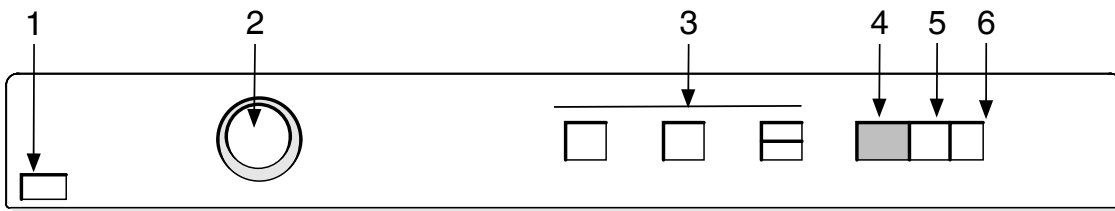
Air from the dryer cabinet must not be fed through ducts used for equipment that burns gas or other fuels.

Description of the dryer cabinet



- | | |
|-------------------------|--------------------------------|
| 1. Connector | 7. Door hanger for light goods |
| 2. Control panel | 8. Middle hanger section |
| 3. Hanging hooks | 9. Glove hanger |
| 4. Type plate (inside) | 10. Lower hanger section |
| 5. Upper hanger section | 11. Shoe rack (accessory) |
| 6. Door | |

Control panel

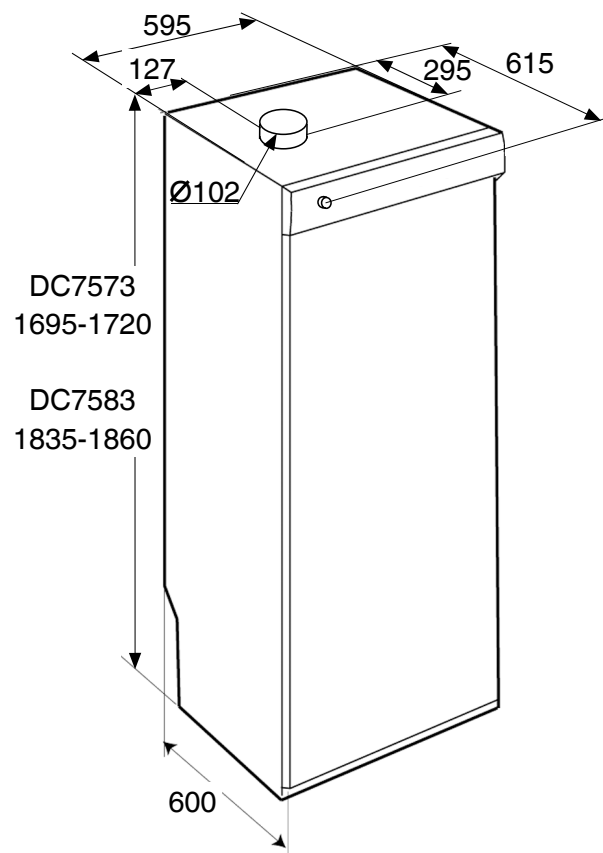


- 1 Main power switch
- 2 Program selector
- 3 Options buttons

- 4 Display window
- 5 Start
- 6 Stop

Assembly area

- If the dryer cabinet is to be connected to the exhaust air ventilation this must be available in the premises.
- An earthed power outlet must be available within 2 m of the top section of the dryer cabinet. The dryer cabinet has a 2 m long earthed cable with plug connected at the top. The power outlet must be positioned so that an extension cord is not necessary.
- The power socket should be simple to reach once the dryer cabinet has been installed. Observe this even when the dryer cabinet is installed in an in-built cabinet or the like. See the section 'Electrical installation'.
- The floor where the cabinet is to be positioned must support a weight of about 60 kg.
- The floor must be flat with a drop of max 2,5 cm below the cabinet.
- The dryer cabinet is only intended for placement indoors with a temperature over 0 °C.
- The dryer cabinet must not be placed in environments where high-pressure washers are used for cleaning.



Electrical requirement

User liability

It is the responsibility of the user to contact a qualified electrician if a power outlet as described in this manual is not available.

WARNING!



- Connect to a power outlet with a protective earth.
- Do not remove the earth connection.
- Do not use an adapter.
- Do not use an extension cord.

Electrical connection

- The dryer cabinet is to be connected to 220-240V, 1-Phase, 50-60Hz and the protective power outlet. The power outlet must be installed and earthed according to applicable regulations.
- The dryer cabinet is delivered ready for connection with a 2 m long cable with earthed plug.
- Do not change the cable and plug supplied with the dryer cabinet. If the plug does not correspond with the power outlet this must be rectified by a qualified electrician.
- The dryer cabinet must be connected using the supplied connection cable and must not be permanently connected!
- The power outlet must be positioned so that the plug can be removed when necessary.
- The connection cable is drawn out at the rear of the dryer cabinet on delivery from the factory. If necessary the connection cable can be drawn out of the rear hole in the top cover.
- Check that the connection current corresponds with the data on the type plate and that the main circuit is earthed correctly according to applicable standards. We recommend that the main circuit is fitted with a residual current device.
- The connection is to make up its own fuse group.
- The manufacturer relinquishes all responsibility if the electrical connection is not made according to the method set out in these operating instructions.

If this appliance is supplied from a cord extensions set or electrical portable outlet device, the cord extension set or electrical portable outlet device must be positioned so that it is not subject to splashing or ingress of moisture.

Connect to the ventilation

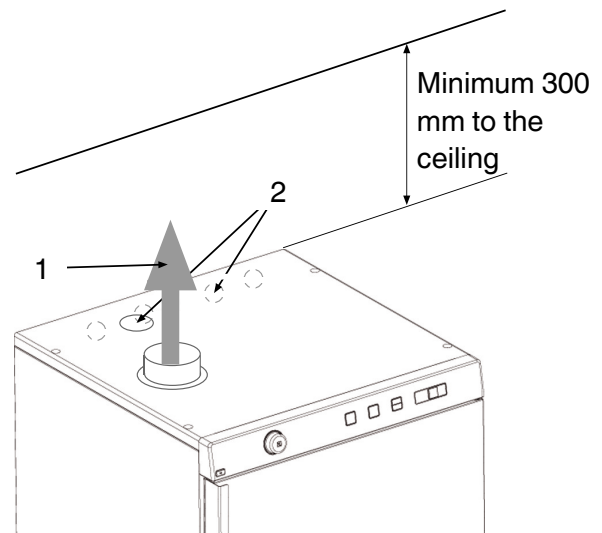
Evacuation of the moist air can be performed in two ways:

- Waste air from the dryer cabinet is led to an evacuation duct or an outlet in the wall using the vent hose supplied. Recommended!
- Ventilation out into the room where the dryer cabinet is positioned.

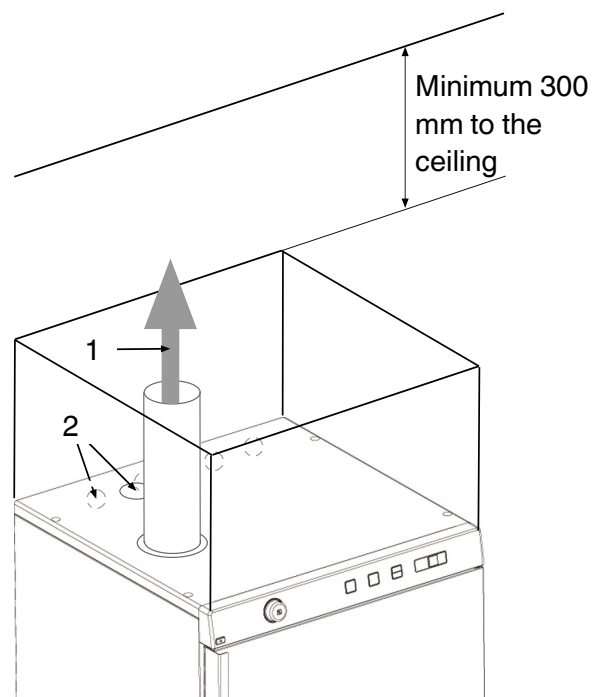
Ventilation out into the room where the dryer cabinet is positioned

- Preferably open the door or window in the room for the best ventilation.
- When the dryer cabinet is built-in, the supplied ventilation hose (only some markets) is replaced with a permanent ventilation pipe with a diameter of 100 mm.
- The distance between the top edge of the ventilation pipe and the ceiling must not be less than 300 mm.
- The ventilation pipe must reach outside of the in-built cabinet.
- Ensure a good air supply to the dryer cabinet's air intake.
- The ventilation holes in the dryer cabinet must not be blocked.

1. Moist air out
2. Air intake



Ventilation out into the room where the dryer cabinet is positioned. Dryer cabinet freestanding



Ventilation out into the room where the dryer cabinet is positioned. Dryer cabinet in-built in tailored in-built cabinet.

Connect to the ventilation

Connection to the evacuation duct

When the cabinet is on 45 m³ moist air/hour is evacuated. Make sure that air can enter the room to replace the moist air that has been ventilated.

WARNING!



- The dryer cabinet must not be connected to the duct for flue gases.
- Only the supplied evacuation hose may be used (on markets where this is supplied).

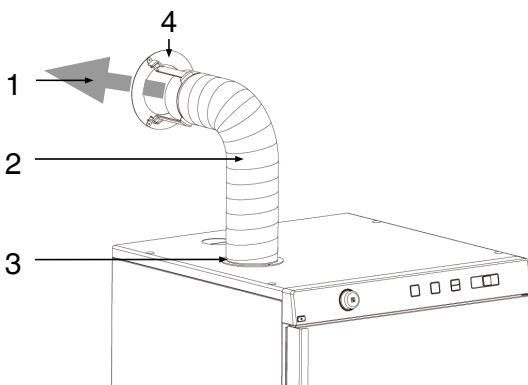
The dryer cabinet can be connected to the evacuation duct in two ways:

With draught check

The building valve is replaced by the draught check (supplied with the delivery).

Do not fit valves that can be found in the property's ventilation system inside the dryer cabinet.

1. Moist air out
2. Hose.
3. Connector
4. Draught check



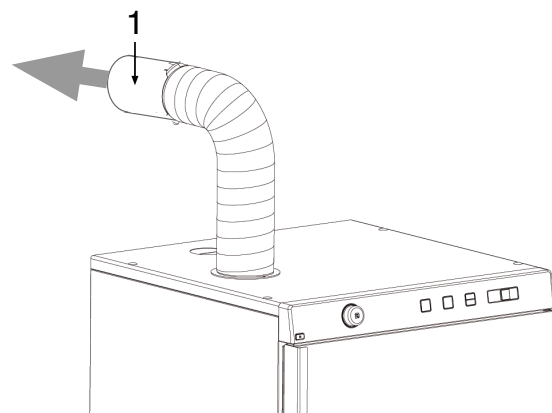
The dryer cabinet is connected to the evacuation duct with the draught check

Permanently fitted to the evacuation duct (only some markets)

The exhaust air duct valve must be replaced with a transition section (not supplied).

Do not fit valves that can be found in the property's ventilation system inside the dryer cabinet.

1. Transition section



The dryer cabinet is permanently fitted to the evacuation duct

Installation

Unpacking

WARNING!



- The cabinet can easily tip over if not screwed in position. At least two persons should handle the dryer cabinet.
- Packing material such as plastic and cellular plastic should be kept inaccessible to children. Observe the risk of suffocation to small children when they come into contact with plastic materials.
- Remove all packing material; do not use sharp tools that can damage the product.
- Check that the dryer cabinet has not been damaged during transport.
- After unpacking, check that the dryer cabinet shows no sign of faults. Damage, faults and the possibility of missing parts must be reported immediately to the dealer.

A complete delivery includes

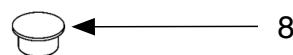
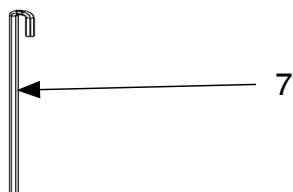
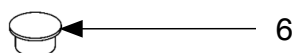
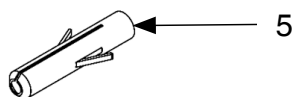
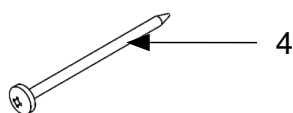
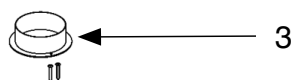
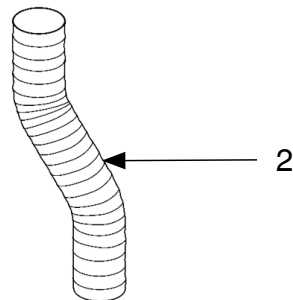
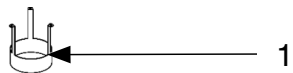
- Cabinet with fan unit
- Assembly set
- Set of documents

Recommended tools

- Spirit level
- Measuring-tape
- Portable drill
- Screwdriver
- Drill diam. 8 mm
- Pen
- Protective gloves (if used)

Installation

Assembly set



1. Draught check (some markets) x 1
2. Ventilation hose (some markets) x 1
3. Connector with two securing screws x 1
4. Securing screws for securing against the wall x 2
5. Plastic plug x 2
6. Cover plug for the cabinet feet x 4
7. Allen key x 1
8. Cover plug for the securing screws x 2

Installation

Positioning

1. Place the dryer cabinet in the intended position.
2. Open the door and adjust the level of the dryer cabinet so that it stands firmly on all four feet.

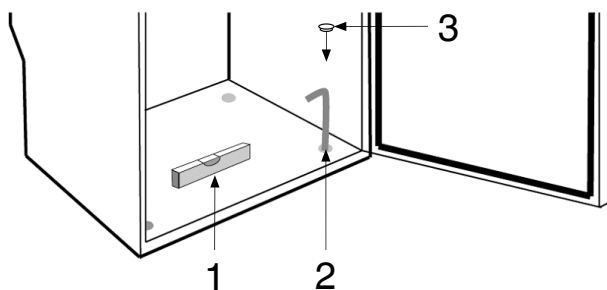
WARNING!



The dryer cabinet must be screwed to the wall. As the cabinet is top heavy there is a risk of it tipping forwards.

Level adjustment

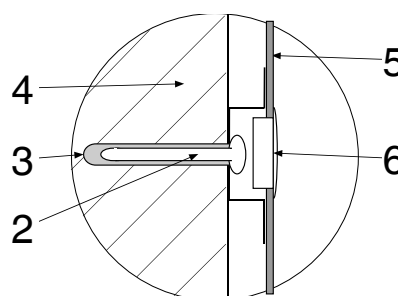
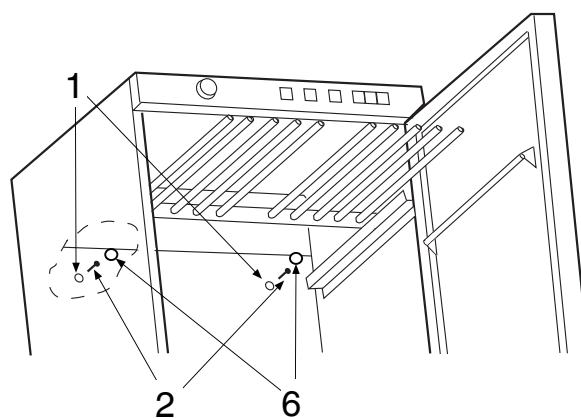
1. Check using a spirit level that the cabinet stands level.
2. Use the supplied Allen key and adjust all four feet through the holes in the dryer cabinet's bottom plate (use pliers if necessary).
3. Insert the four cover plugs (found in the document bag) in the holes.



1. Spirit level
2. Allen key
3. Cover plug x 4

Fastening

1. Place the dryer cabinet in the intended position, open the door and pull out the top hanger section.
2. Mark out the drill holes on the wall through the two pre-drilled holes on the rear panel of the dryer cabinet.
3. Pull forward the cabinet and drill the holes for the securing screws in the wall. Use the enclosed plastic plugs or other anchors if necessary.
4. Slide back the cabinet and screw in position with the enclosed screws.
5. Fit the cover plugs.



1. Predrilled holes
2. Securing screws
3. Plastic plug
4. Wall behind the dryer cabinet
5. Rear panel of the dryer cabinet
6. Cover plug

Installing in a built-in cabinet

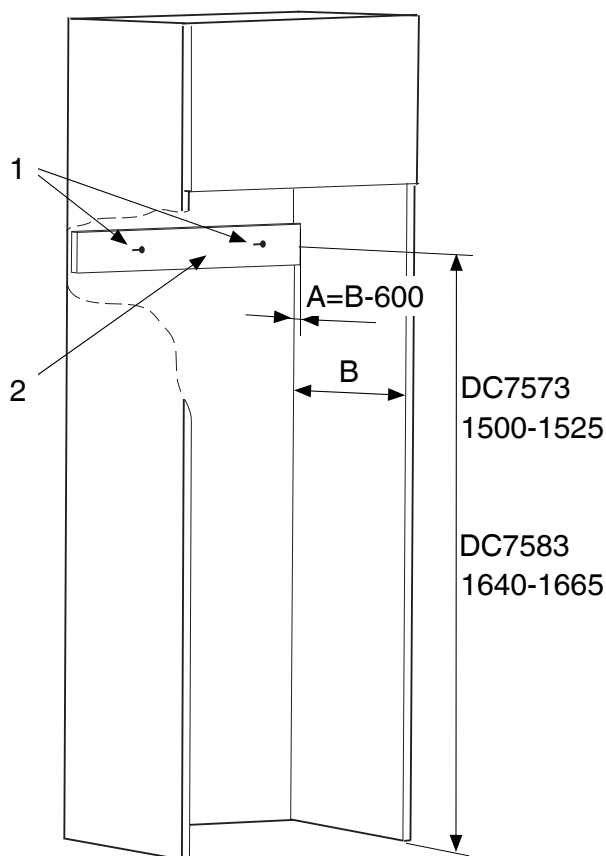


Figure 1

The dryer cabinet has a depth of 600 mm.

Use screws and possibly plugs of a suitable length to match the material of the built-in cabinet's rear wall.

1. Measure the assembly depth "B" where the dryer cabinet is to be mounted (see figure 1).
2. If the assembly depth "B" is greater than 600 mm a wooden batten (2) with the thickness "A" must be cut. The wooden batten is not included in the delivery.
3. Slide the dryer cabinet into position so that the front aligns with the built-in cabinet. Keep the door closed.
4. There should be an air gap of at least 10 mm above the dryer cabinet (see figure 2) in order to get optimum performance from the dryer cabinet.

5. Open the door. Align the dryer cabinet horizontally according to the directions in the section "Level adjustment".
6. Pull out the top hanger section and mark the hole position with a pen on the wall behind.
7. Slide back the hanger section, close the door and pull out the dryer cabinet again. If the assembly depth "B" is the same as the depth of the dryer cabinet you can go directly to point 10 below.
8. Cut a wooden batten (2) with the thickness "A" and length between 500-575 mm. It must be as thick as the difference between the assembly depth "B" and 600 mm. If the assembly depth "B" is 620 mm then the batten thickness "A" must be 20 mm.
9. Screw the wooden batten into position with two screws (1) on the wall behind the dryer cabinet so that it is at the same height as the marked holes, as set out in point 6.

NOTE!

Do not position the screws for the wooden batten in the same position as the assembly holes marked on the wall for the dryer cabinet. Ensure that the wooden batten is screwed firmly to the wall.

10. Plug the connection cable into the power outlet and ensure that the cable is not crushed and can be easily pulled out.
11. Slide in the dryer cabinet in the built-in cabinet. Make sure that the rear wall of the dryer cabinet lies against the wall in the built-in cabinet or the wooden batten (2). Also check that the front of the dryer cabinet aligns with the built-in cabinet.
12. Pull out the top hanger section and screw the cabinet into position using the supplied securing screws and fit the cover plugs (see figure 3).

Installing in a built-in cabinet

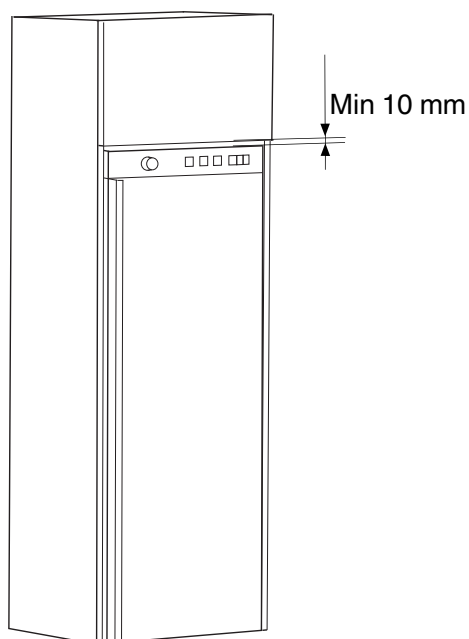


Figure 2

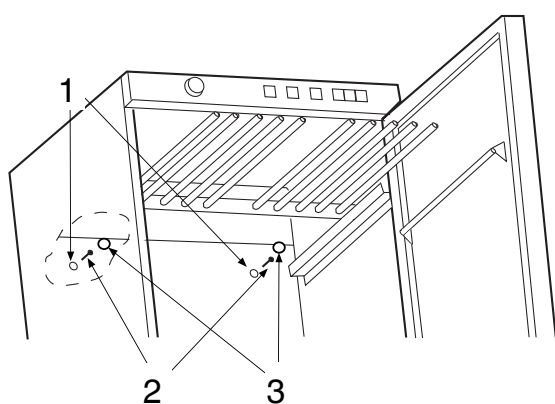


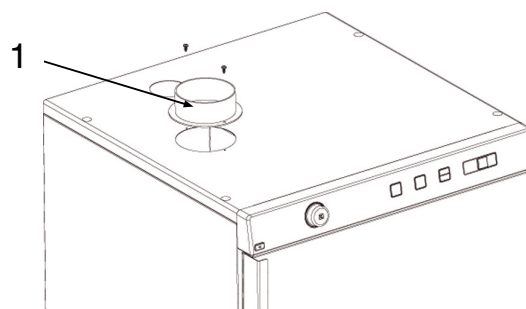
Figure 3

1. Predrilled holes
2. Securing screws
3. Cover washers

Connect to the ventilation

If the dryer cabinet is in-built, fit the connector through the ventilation opening in the top section of the built-in cabinet. The dryer cabinet is then fitted in its intended position.

1. Place the connector over the hole in the dryer cabinet's top panel, align the screw holes and secure the connector.
2. Connect the fixed ventilation pipe if the dryer cabinet is built-in or press on the supplied (only some markets) flexible hose. Also see the section "Ventilation option".



1. Connector

Door hanging

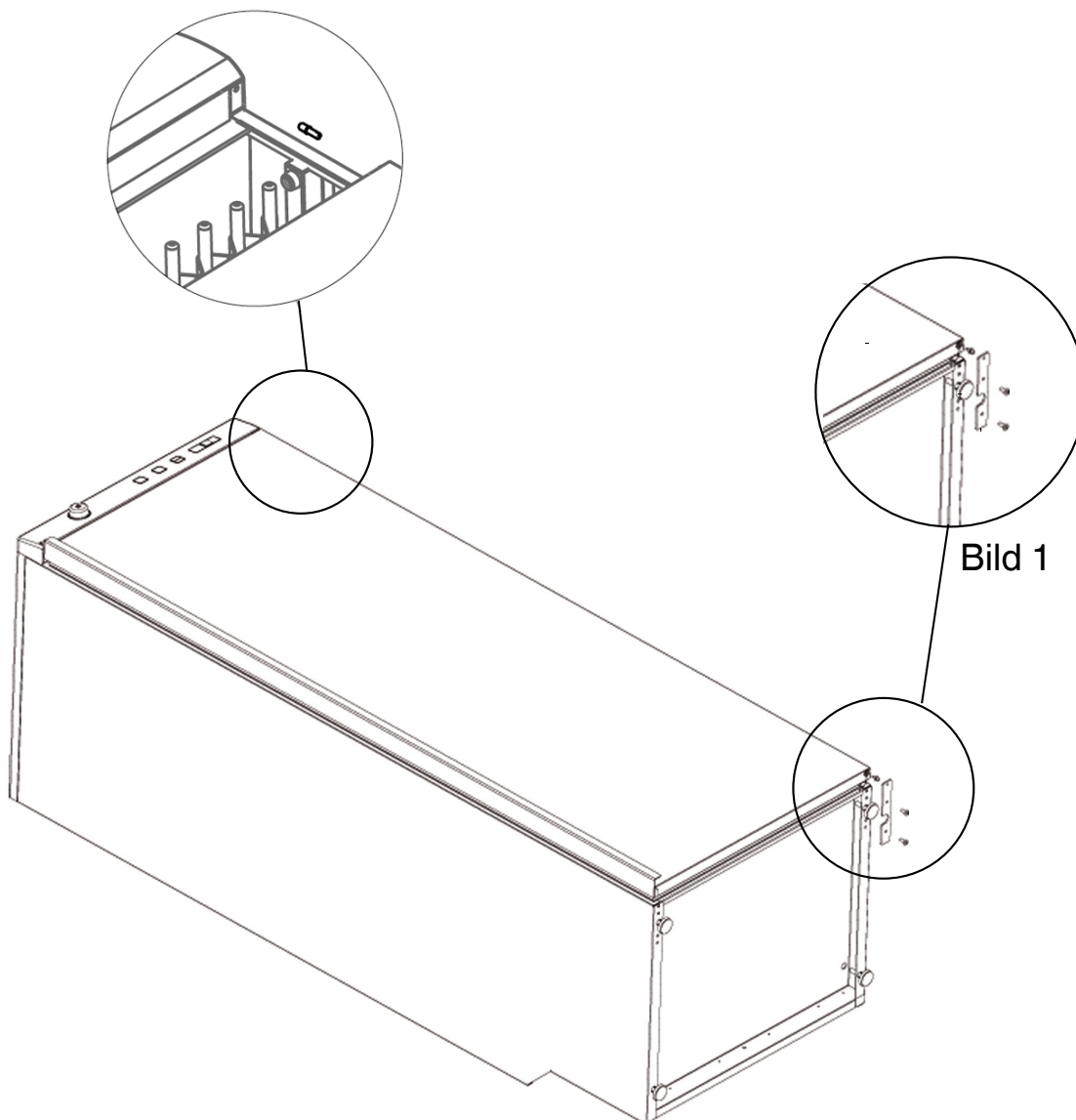
WARNING!



Be aware of the risk of strain injuries. At least two persons should handle the dryer cabinet.

Rehanging the door

1. Place the dryer cabinet on its back.
2. Loosen the hinge plate, see figure 1.
3. Lift off the door, loosen the glove hanger and the switch plate from the main power switch. Turn the glove hanger a half-turn and fit in the same fastening hole.
4. Move the switch plate to the other end of the door.
5. Loosen the rivet on the hinge plate and move it to the opposite side.
6. Loosen the hinge pin on the upper hinge and place it on the opposite side.
7. Rotate the door, align the rivet and secure the hinge plate.



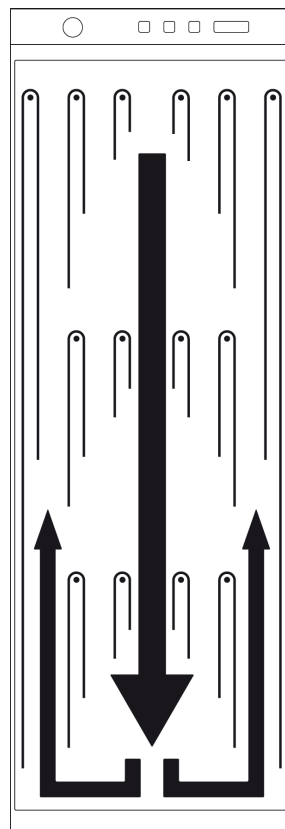
Operation

1 Sort the garments

- Remove any dry garments from the dryer cabinet to reduce the drying time for the remaining garments.
- Attempt to dry garments of the same type of fabric to produce an even drying result. Otherwise, with a mixed load, there is a risk that the garments will not be dry.

2 Garment placement

- The cabinet has three sections with extendable hangers. Each section has a number of hangers that garments are hung on.
- Do not place garments horizontal on the hangers.
- Hang long garments closest to the cabinet walls and short garments in towards the centre. This improves the drying result.
- Fold up the two lowermost hanger sections when long garments are to be dried.
- Hang gloves, hats, scarves and the like on the hanger strips on the inside of the door.
- Pull forward the hanger hooks on the upper hanger section to facilitate hanging the garments. Pull these back when not in use.
- Do not overload the dryer cabinet. Garments become creased and the drying result uneven. If possible, leave some space between garments instead.
- If there is a risk that some garments may run you should leave space around these.
- Avoid drying heavy articles of clothing with light garments as they have very different drying times.



The drying result is mainly dependent on how the garments are hung. The figures above show the airflow in the dryer cabinet. If the airflow in the middle of the dryer cabinet is obstructed or blocked this can impair the drying result. Zones can be formed in the dryer cabinet where garments will not dry.

When the cabinet is cold the door seals may not close completely. However, this is fully compensated for when the cabinet is operated with heating as the door seals expand.

WARNING!



Read the safety instructions before using the cabinet.

3 Close the dryer cabinet door and switch on the main power switch.

Operation

4 Program selection

Always follow the garment's washing instructions if these are stated. Select the program to suit the most delicate garment. If softener or antistatic agent are used during washing the manufacturer's instructions for the use of these products must be followed.

You select a program by turning the program selector. An LED lights up beside the selected program. Select the desired options using the option buttons. Start by pressing the Start/Stop button.

Drying results depend, among others, on the ambient temperature, ventilation of the drying room and hanging. Use trial and error to find out which program is the best.

Guidelines as to what specific programs can be used for:

Auto extra dry

This program is for garments that are particularly difficult to dry e.g. jeans with very thick seams.

Auto dry

Switch off the heating just before Auto extra dry. Use trial and error to find out what works best. Use one of these two programs when you want garments to be completely dry.

Auto normal dry

These programs shut off the heat once the garments are dry, but not too "dry".

Warm towels

Program to heat garments or fabrics to a comfortable temperature in an energy optimised method, only so much energy is needed to maintain the heat. Just imagine a warm dressing gown or ski boots, gloves and hats in the winter.

Timed dry

Drying with heat. You can decide on a fixed drying time yourself. Recommended when drying shoes and boots or the like. Select the time by pressing the button with the clock symbol. The time is shown on the display. Max six hours drying time.

Cold dry

Drying without heat. You can decide on a fixed drying time yourself. Select the time by pressing the button with the clock symbol. The time is shown on the display. Max twelve hours drying time.

5 Selecting Options

By selecting options, you can tailor drying programs to suit the requirements of your garments. The machine remembers which options you choose for each program and uses them (with one exception: Delayed Start) the next time you select the appropriate program.

Temperature

You can choose a lower temperature in all programs except Cold dry.

- Select a lower temperature by pressing the button by the symbol
- The lamp by the button comes on when this option is selected.

Revitalise

This option means that the fan will run for three seconds per minute over two hours once the drying program has finished. The option is recommended when you do not have the option of removing the clothes from the dryer cabinet directly after drying. Cannot be selected with Cold dry.

- Select Revitalise by pressing the button by the symbol.
- The lamp by the symbol lights when Revitalise is selected.

Operation



Time saver

The program is shortened by about 12 minutes. You can choose Time saver with all programs except Revitalise.

- Press the button by the symbol.
- The lamp by the symbol lights when Time saver is selected.



Delayed Start

First select which program you want to use and then select Delayed Start by pressing the button by the symbol. The display shows Delayed Start in whole hours. Press the button to select a delayed start of 1 to 24 hours. The lamp by the button lights when Delayed Start is selected. Press the Start button, the machine counts down 1 hour at a time and starts after the selected delay. This option cannot be used with the Timed dry or Air fluff programs.

6 Press the Start button

Remaining drying time

An estimate of the remaining drying time will be shown on the display a few minutes after the drying program starts. For example, "1:35" means that it will take approximately 1 hour and 35 minutes for the garments to dry.

The actual remaining time may be longer than the estimated time shown on the display. The remaining time is then shown as "0:15" until the garments are sufficiently dry. If you selected Time saver the display will show "0:05" instead.

Stopping or changing a program

Press and hold the Stopbutton for three seconds.

NOTE!

The program will not be affected if you change the program selector after the program has started.

Loading or removing garments

You can stop the dryer cabinet after starting a program by opening the door. Hang in or remove garments, close the door again and press the Startbutton. A new estimate of the remaining program time will be displayed after a few minutes.

7 Drying program finished

The text "End" appears on the display when the program is finished.

Backlighting

Two minutes after the drying program finishes the backlighting on the display and option buttons enter energy saving mode.

8 Once drying has finished

Turn off the main power switch. Remove the clothes and close the door to prevent small children from climbing into the machine.

Care

Cleaning

High-pressure washers must not be used!

- The cabinet panels can be cleaned using a mild soap solution and damp cloth.
- Dust collects easily around the air intake on top of the cabinet. This can cause disturbances which in turn can result in downtime.
- In order to avoid these problems vacuum clean around the air intake and the top of the cabinet at least once a year or more frequently depending on the environment where the cab.

When the dryer cabinet is not used

During short or long periods

Always remove the dryer cabinet's plug.

When the cabinet is to be moved

1. Pull out the plug.
2. Secure the door using strong tape.

Troubleshooting

The machine will not start

Check

- that the door is closed correctly.
- that the main power switch is on.
- that the machine is not programmed to start at a specific time (e.g. 13.30)
- that the plug is connected.
- that the fuses (circuit breakers) in your house are intact. Swap two circuit breakers over to make sure. You cannot always tell from the outside if a circuit breaker is broken.
- that the overheating cut-out has not been triggered (see below).

Overheating cut-out

The overheating cut-out shuts off the dryer cabinet if the temperature is too high.

- The overheating cut-out will reset automatically once the machine has cooled down.

Drying takes too long

- Poorly spun or very wet washing.
- The dryer cabinet is positioned in an area where the ambient temperature is too low.

The garments do not dry, or are too dry

- The door has been opened while the program is running, which disrupts the moisture monitoring function.
- The garments may not have been hung correctly, obstructing the air flow. See "Garment placement" in the "Operation" chapter.
- Wrong program selected, choose another program, see the chapter "Operation".
- Poorly spun wash or very wet washing.
- The ventilation pipe/hose is too long. The length should not exceed 1 m.
- Normal operation requires installation in a room with a temperature above 0 °C.

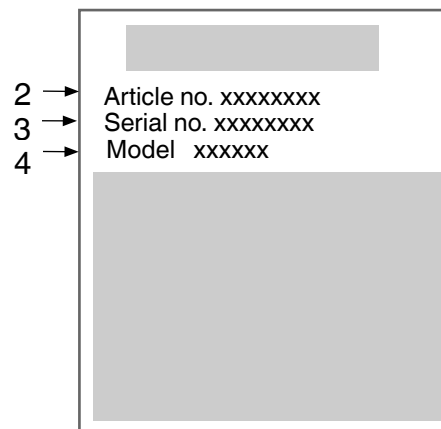
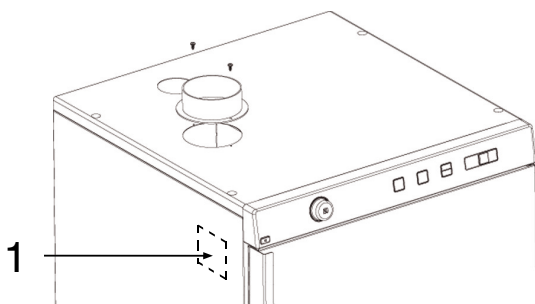
Error messages

If F2 flashes on the display, the maximum permitted program time has been reached. Read "Drying takes too long" in the "Troubleshooting" chapter to find out what to do.

Service

Make sure you know the model designation, type designation, and serial number before contacting service.

The model designation and serial number can be found on the type plate, which is placed on the inside of the cabinet.



1. Type plate (on the inside of the dryer cabinet)
2. Article number
3. Serial number (12 digits)
4. Model

Technical information

Technical data

Capacity:	approx. 3,5 kg wash (cotton)	
Drainage capacity:	Up to 21 gram/min	
Electrical connection:	1-Phase, 220-240V, 50-60Hz, 10A	
Motor:	35 W	
Heater output:	2000W	
Overheating protection:	Yes	
Fan capacity	180 m ³ /hour	
Hanger length:	16 m	
Size:	Height	DC7573: 1700 mm DC7583: 1840 mm
	Adjustable	DC7573: 1695 mm-1720 mm DC7583: 1835 mm-1860 mm
	Width	595 mm.
	Depth	600 mm without handle, 620 with handle.
Weight:	approx. 62 kg	
Colour:	White, titanium or grey	
Sound level:	max 56.5 dB(A) (IEC60704-2-6)	

Technical information

Energy consumption and drying times

Drying of sup wash *)

Settings	Energy consumption	Drying time in hrs:min	Heat
Auto normal dry, normal temperature.	0.6 kWh/kg	1:10	normal temperature
Auto normal dry, low temperature.	0.3 kWh/kg	1:00	low temperature
Cold dry	0.06 kWh/kg	8:00	-

*) Stated values apply for 3,5 kg wash and 1600 rpm spin. Values vary depending on spin speed and the materials in the load.

Evacuation/Supply air

When the cabinet is on 45 m³ moist air/hour is evacuated.

Manufacturing standards

See the cabinet's type plate.

Air gap when in-built

Minimum 10 mm between the dryer cabinet and in-built (above and behind the dryer cabinet).

Your notes

Your notes

Your notes

Quick guide

1 Fabrics

- Sort and hang fabrics of the same type together to ensure that they dry as evenly as possible.

2 Turn on the main power switch

3 Hang up the laundry

- Close the door.

4 Select a program and any options

- Turn the program selector to the required program.
- Select any options and settings.

5 Press the Start button

6 Drying program finished

- 'End' appears on the display when the program is finished. If the Revitalise option has been selected, the fan will run for three seconds per minute for two hours after the drying program is finished.

7 Once drying has finished

- Turn off the mains power switch and close the door.