

FR GUIDE D'UTILISATION
DE BETRIEBSANLEITUNG
EN GUIDE TO INSTALLATION
ES MANUAL DE UTILICIÓN
IT MANUALE D'USO
NL GEBRUIKSAANWIJZING
PT GUIA DE UTILIZAÇÃO
CS PŘÍRUČKA K POUŽITÍ
PL INSTRUCJA OBSŁUGI
HU HASZNÁLATI UTASÍTÁS
EL ΕΓΧΕΙΡΙΔΙΟ ΧΡΗΣΗΣ
DA BRUGERMANUAL
SK PRÍRUČKA NA POUŽITIE

SV BRUKSANVISNING

Hotte décor
Dekor-Dunstabzugshaube
Decorative Hood
Campana extractora decorativa
Cappa arredamento
Designafzuigkap
Exaustor decorativo

Digestor
Wyposażenie okapu
Szagelszívó berendezés
Διακοσμητικός Απορροφητήρας
Indretnings emhætte
Digestor
Spiskåpa för innebruk

DHD585XE1
DHD783X

De Dietrich 



FR	6	<i>Dear client,</i>
DE	18	<i>You have just purchased a DE DIETRICH range ventilation hood, and we thank you for your purchase.</i>
EN	30	<i>Our research and development teams have designed a new generation of appliances for you, which, because of their aesthetics, functionality, and technological evolution, are truly exceptional products representative of our design experience.</i>
ES	41	
IT	52	<i>Your new DE DIETRICH range ventilation hood will harmoniously suit your kitchen and will perfectly combine ventilation performance and ease of use. We simply want to offer you an excellent product.</i>
NL	63	
PT	74	<i>Within the DE DIETRICH product line you will find a wide range of ovens, microwave ovens, cookers, washing machines, and fitted refrigerators that can be freely coordinated with your new DE DIETRICH range ventilation hood.</i>
CS	85	
PL	96	<i>Naturally, since our objective is the satisfaction of our clients towards our products, our customer service is at your total disposition to respond to any request and receive any useful suggestion (reference details at the end of the booklet).</i>
HU	107	
EL	118	<i>Visit our web site www.dedietrich-elecromanager.com where you will find our latest innovations as well as all useful information.</i>
DA	131	
SK	142	
SV	153	

DE DIETRICH
The new objects of value

Constantly seeking to improve our products, we reserve the right to modify their technical, functional, or aesthetic characteristics as they evolve.



Important: Before activating the appliance, read the installation and usage manual carefully to familiarise yourself more quickly with its operation.

www.dedietrich-electromanager.com



1 / TO THE ATTENTION OF THE USER

- Safety instructions 32
- Description of the appliance 33

2 / INSTALLING THE HOOD

- Mounting the hood 34
- Installation 34
- Removal of the filter cartridge 35
- Mounting the carbon filter 35
- Electrical hook-up of the hood 36

3 / HOW THE HOOD WORKS

37

4 / CLEANING THE HOOD

39

5 / OPERATIONAL ANOMALIES

- Changing the light bulb 40

6 / AFTER SALES SERVICE

40



Important: keep these instructions for use with the appliance. If the appliance should be sold or passed on to others, make sure that the instructions are passed on with it. We thank you for taking note of these suggestions before installing and using the appliance. They have been written for your personal safety and the safety of others.

The manufacturer cannot be held liable for any problems, damage of fires caused on or by the appliance and arising from failure to follow the instructions in this handbook.

– SAFETY INSTRUCTIONS

These hoods have been designed for personal use in the home. The appliance must be used by adults. Take care that children do not touch the appliance and do not use it as a toy. Make sure that children do not operate the controls.

– Upon delivery of the appliance, remove the packing material yourself or have it removed immediately. Check the overall condition of the appliance. Note any observations on the delivery bill and keep a copy. Your appliance is designed for normal use in the home. It is not designed for commercial or industrial use, or for purposes other than those for which it was designed.

– Do not ever modify, or attempt to modify, the design characteristics of this appliance. This could result in danger.

Repairs must be performed only by an authorised specialist.

Always disconnect the hood before carrying out cleaning or maintenance operations.

– Adequately ventilate the area in case the hood is activated simultaneously with other appliances powered from non-electrical sources so that the hood does not ventilate these combustion fumes.

– It is prohibited to cook food over open flames or operate gas hobs without pots or pans on them under the hood itself (the flames sucked into the hood might damage the appliance).

– Deep frying under the appliance must be done under constant supervision as hot oils and fats may ignite.

Respect the guidelines for cleaning and replacement of the filters. Accumulated deposits of grease are a fire hazard.

– The use of combustible materials (wood, charcoal, etc...) on the hobs is not permitted.

Never use steam or high-pressure devices for cleaning your hood (regulations regarding electrical safety).

Constantly seeking to improve our products, we reserve the right to modify their technical, functional, or aesthetic characteristics as they evolve.

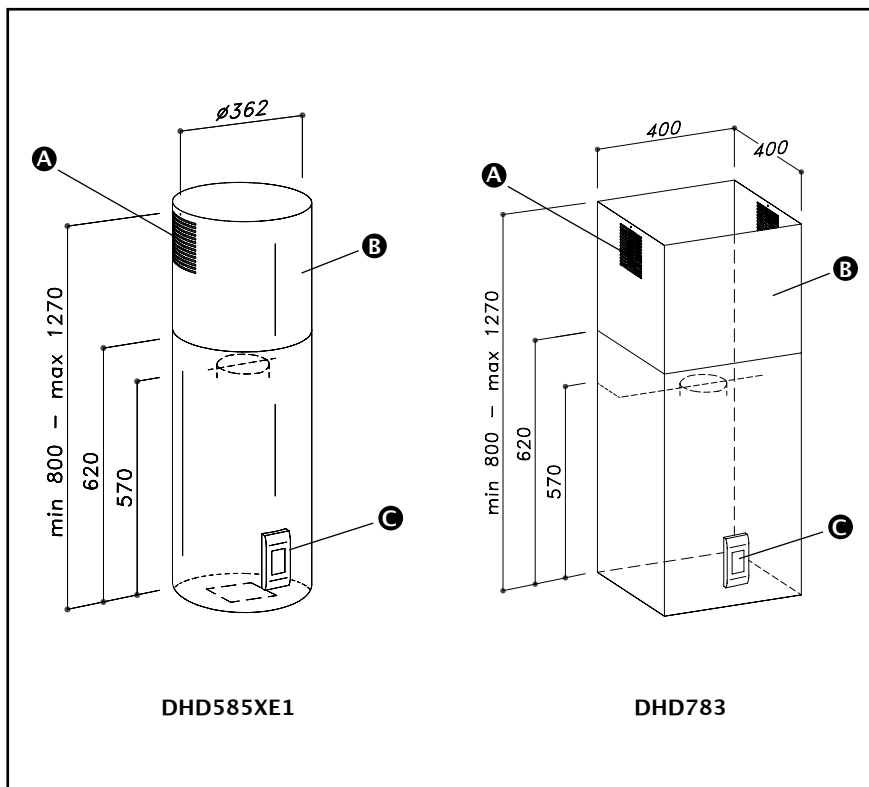
In order to find the notes regarding your appliance easily in the future, we advise you to collect them on the page "After sales service and customer relations". (This page also explains where to find them on your appliance).



Attention:

If your kitchen is heated by a device hooked up to a chimney (i.e., a wood stove), you should install the recirculation mode of the hood. Never use the hood without the filter cartridges. Furthermore, you must provide adequate ventilation to the area when your kitchen hood is used at the same time as devices that operate with gas or other combustible materials.

- DESCRIPTION OF THE APPLIANCE



A air output grill
(filter mode)

C display

B ventilation pipe

- During installation, or in the case of repairs, the appliance must be unplugged.
- Make sure that the electrical tension of the power source corresponds to the electrical tension indicated on the information plate on the inside of the hood.
- If you need to modify the electrical layout of your house in order to be able to use the hood, call a qualified technician.
- If you use the hood in the discharge mode, never hook up the appliance to a discharge conduit used for combustion fumes (boilers, chimneys, etc.) or a CMV unit (Controlled Mechanical Ventilation).
- The discharge conduit, whatever it may be, must never exit into the attic.
- Install the hood at a safe distance of at least 70 cm from the hob surface, whether they are electric, gas, or mixed.

If you have a conduit exit to the outside: **fig. 2**

The hood can be hooked up to the opening by way of a discharge conduit (minimum diameter F125mm, unpainted, in aluminium, flexible, or in non-flammable material). If the conduit has a diameter of less than 125 mm, you must use the hood in the recirculation mode.

If you do not have a conduit exit to the outside: **fig. 1**

All of our appliances can operate in the recirculation mode.

In this case, you must add an active carbon filter that acts to control smells.

ELECTRIAL HOOK UP

This appliance conforms to the European Directives 2006/95/EC (Low Voltage Directive) and 2004/108/EC (Electromagnetic Compatibility).

When you install the appliance and carry out maintenance, it must be unplugged from the power source or the fuses must be disengaged or removed. Electrical hook up must be carried out before the appliance is installed in the cabinet.

Check that:

- the power source is sufficient,
- power cords are in good condition,
- The diameter of the cables conforms to installation regulations.

- MOUNTING THE HOOD



Installation must conform to the regulations in force regarding the ventilation of enclosed environments. In France, these regulations are contained in the DTU 61.1 of the CSTB. In particular, discharged air must not be channelled into a conduit used for exhaust discharge or discharge from devices that operate with gas or other combustible materials. The use of unused conduits is not permissible without the approval of a qualified technician. The minimum distance between the hob surface and the lowest part of the hood must be 70 cm. If the instructions for the cooker installed under the hood require an even greater distance, this must take precedence.

- INSTALLATION

Before installing the hood, remove the anti-grease filters to avoid damaging the appliance. To remove the anti-grease filters, push the handle toward the lower part of the hood and rotate the filter downward, removing it from its housing (Fig. 3A).

Attention: Installation must be carried out by at least two people.

Before installing the hood, ensure a supply of electricity to the conduit and the discharge hole, in the case of an installation with discharge.

Discharge mode

DHD585XE1

attach the extensions (Fig.4 Det.A) to the upper plate (Fig.4) with the supplied screws. Position the upper plate (Fig.4.1) on the ceiling, drill four 8mm holes corresponding to the drill jig. Insert the expander sleeves into the holes (Fig, 4-1 - A) and attach the plate to the ceiling with the screws (Fig. 4-1-B).

Then attach the lower structure (Fig, 6.2) to the hood lining up its holes with the bolts welded to the ventilator support (Fig. 6.1). Insert the supplied washers and nuts (Fig. 6.2-A) tightening them with an appropriate tool.

Connect the air discharge conduit to the motor unit by way of the collar. Insert the upper structure (fig. 6.3) on the lower structure while adjusting the position to the desired height, respecting the minimum required height between the cooker and the hood. Tighten the screws on the two structures (Fig. 6.3 B).

Then lift the hood with the structure and the conduits already inserted until the four springs (Fig. 6.6 -E) hook onto the drill jig (Fig. 6.3C). Once the two parts are hooked together, tighten the two parts (Fig. 5.1, Fig. 5.2, Fig. 11) with the safety screws (Fig. 5.2A).

Connect the hood conduit to the air discharge hole.

Then insert the two telescopic pipes (fig. 6.4 e 6.5) into the lower part of the hood (Fig. 12). Before inserting the telescopic pipes completely (Fig, 6.4 e 6.5) hook up the display connection (Fig. 13). Then lift the conduit completely and attach it to the hood with the supplied screws (Fig. 12-A). Raise the upper conduit to the ceiling and attach it with the screws (Fig. 6.6 -D).

Check valve blockage

Warning: Before connecting the air exhaust hose, make sure that the check valves are free to turn over freely.



In filtering application that the stop valve doesn't permit the entrance of wind and exhausted air.

Recirculation Mode

To install the unit in the recirculation mode, attach the air deflector (Fig. 4.2) to the upper flange (Fig. 4.3) with the four supplied screws (Fig. 4.3-A).

Then proceed with the installation as indicated for the discharge mode. You must insert a sheath between the deflector and the motor discharge.

- REMOVAL OF THE FILTER CARTRIDGE (Fig. 3A) **- MOUNTING THE CARBON FILTER (FIG. 9Z)**

1. Remove the cartridges.
2. Position the carbon filter on the cartridge inside the hood.
3. Position the two containment flanges.
4. Repeat the operation for all of the cartridges.

- ELECTRICAL HOOK UP OF THE HOOD



This appliance is fitted with an H05 VVF 3 conductor, 0.75 mm² (neutral, phase, and ground) power cable. This can be hooked up to a 220 - 240 V mono-phase electrical network by way of a CEI 60083 regulation power socket that must remain accessible after installation, in conformity to installation regulations.

We decline all responsibility in case of accident caused by a lack of ground connection or incorrect ground connection. The fuse used must be 10 or 16 A. If the power cable is damaged, call the after-sales service to avoid any risk.

Attention

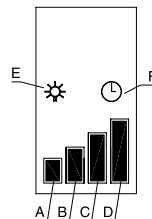
If the hood presents some form of anomaly, unplug the appliance or remove the fuse corresponding to the appliance's power line.

3/ HOW THE HOOD WORKS (Fig.13)

EN

Version with remote control and display (Fig. 8-10)

- A: first speed active
- B: second speed active
- C: third speed active
- D: fourth speed active
- E: light on
- F: 10-minutes timer selected



Instructions for the use of the remote control



- To switch the cooker hood on or to switch it off press the button:



- To increase the speed up to the fourth one press the button:



- To reduce the speed up to the second one press the button:



- To go from a high speed back to the first one press twice the button:



- To light on or to light off the hood press the button:



- To set the timer up press the button:

The LED on the right side will start to flash (every 5 seconds), the hood will work for 10 minutes at the selected speed and then it lights automatically off. If the client increases or reduces the speed while the timer is on, this is automatically stopped.



NB: At every selected function, the LED lights on accordingly.

TECHNICAL DATA:

Alkaline battery powered:	12v mod. 23A
Operating frequency:	433.92 Mhz
Combinations:	4096
Max. consumption:	25mA
Operating temperature:	-20° : +55°C

Standard configuration.

If two cooker hoods–radio control system are installed in the same room or in the immediate vicinity, each system may affect the operation of the other, due to the fact that they have the same code. Therefore it will be necessary to change the code of one of the radio controls.

Generating a new transmission code.

The radio control is supplied by the manufacturer with default codes stored. If you want to create a new set of codes, proceed as follows: press and hold the UP, STOP and DOWN buttons simultaneously for 2 seconds. After the LEDS light up, press the UP and DOWN buttons within 5 seconds. The LEDS will flash 3 times to indicate that the process is completed.

WARNING: This procedure deletes all previously stored codes.

Learning the new transmission code.

After changing the transmission code on the radio control, the cooker hood electronic control unit must be made to set the new code as follows: press the main Power Off button on the cooker hood and then restore power to the electronic control unit. Within the next 15 seconds, press the Light button. This will ensure the control unit is synchronized with the new code.



Warning:


The battery should be replaced every year to guarantee the optimal range of the transmitter. To replace the exhausted battery, take the plastic lid off, remove the battery and replace it with a new one, observing the correct battery polarities. Used batteries should be discarded in special collection bins.

The products are fitted with an electronic device that allows automatic shut off after four hours of operation after the last command performed.

Careful maintenance helps guarantee proper operation and good results from an appliance over time.



The hood must be unplugged from the electrical power source, both by unplugging the appliance from the socket as well as de-activating the breaker, before removing the metal filters. After cleaning, you must replace the metal filters as outlined in the instructions.

MAINTENANCE	HOW TO PROCEED?	ACCESSORY PRODUCTS TO USE
External surfaces and accessories	Do not use metallic scrubbers, abrasive products, or hard brushes.	To clean the external surfaces of the hood and the light housing screen use only commercially available household detergents diluted in water. Then rinse with clean water and dry with a soft cloth.
Filter cartridge	After 30 h of operation the keypad will signal that the filter is saturated by lighting up all of the buttons. Shut off this message by pressing the timer switch  . To remove the anti-grease grill push the handle toward the back of the hood and rotate the grill downward, removing it from its housing. To replace the grill, do the reverse.	To clean the grill, wash it by hand or in the washing machine. Clean it at least every two months.
Active carbon filter	In the recirculation mode, you must substitute the active carbon filter periodically. To remove the fibre panel you must first remove the anti-grease grill and pull the plastic knob on the panel itself, removing it from its housing. To replace the active carbon filter, do the reverse. Replace the used carbon filter on an average of every six months.	

To preserve the appliance we advise you to use Clearit maintenance products.



Clearit The experience of professionals at your service

Clearit offers appropriate professional products and solutions for the day-to-day maintenance of your household appliances and kitchens. You will find these products on sale at your usual retailer together with an entire line of accessories and complementary products.

SYMPTOM	SOLUTION
The hood does not work...	Check that: <ul style="list-style-type: none"> • there is not a power outage. • a specific speed has actually been selected.
The hood has low output...	Check that: <ul style="list-style-type: none"> • the motor speed selected is sufficient for the quantity of fumes steam present. • the kitchen is ventilated well enough to allow for air intake. • the carbon filter is not worn (hood in recirculation mode).
The hood stops in the middle of operation	Check that: <ul style="list-style-type: none"> • there is not a power outage. • the omnipolar device has not tripped.

- CHANGING THE LIGHT BULB



Before any maintenance, the hood must be disconnected from the power source, either by unplugging the power cord from the wall socket or by deactivating the switch.

Dichroic light bulb:

To substitute the halogen bulb, remove it by sliding a small screwdriver or a sharp utensil between the bulb and its housing. Replace the bulb with another of the same specifications (fig. 7).

Any maintenance on your equipment should be undertaken by:

- either your dealer,
- or another qualified mechanic who is an authorized agent for the brand appliances.

When making an appointment, state the full reference of your equipment (model, type and serial number). This information appears on the manufacturer's nameplate attached to your equipment.